

800.221.4903 Toll Free • 717.278.0244 Cell

# J & J TOOLS LLC

WWW.JandJTOOLCO.COM

50 FAIRVIEW ROAD  
LITITZ, PA 17543

J&J has a puller for all your  
needs with U-Joints and Yokes



*Our Tools are 100%  
American Made*

# PRODUCTS

## **2000 Most Popular kit (has Metric)**

Services metric, 1510, 1610, 1710, 1760, & 1810 Series

## **3000 KIT Services ALL driveshafts 1330-1910!**

This kit includes all four size alignment stud ends we offer, plus the two adapters and smaller cables



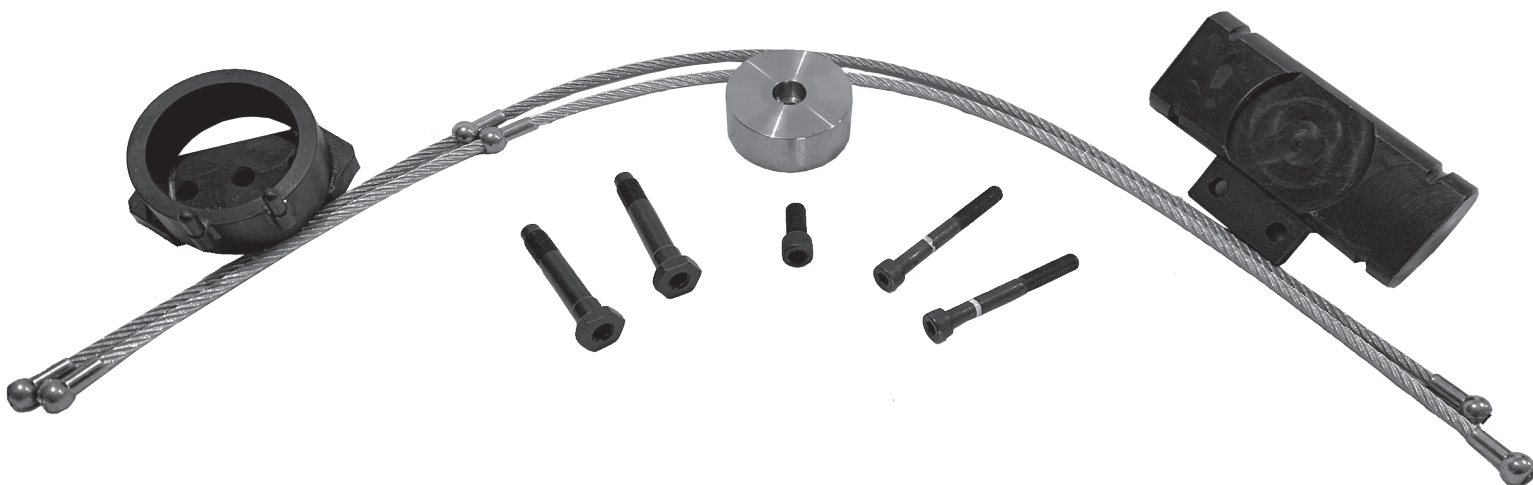
**Combined with the 4LIFE-UPDATE KIT,  
the J&J U-Joint Puller Kits 2000 and 3000  
can be used on the new  
SPICER LIFE SERIES™  
DRIVESHAFTS**

*These 10 pieces, when added to your 2000 Kit,  
will become a 4LIFE-Complete Kit.*

---

*Includes: 2 (3-ball) cables  
Ring Assembly  
Pull Bar, Spacer  
Socket Head cap screw  
2 Guide Bolts (70mm pair)  
and 2 7/16th Alignment Stud Ends.*

**Kit Comes Complete in a  
Metal Toolbox**

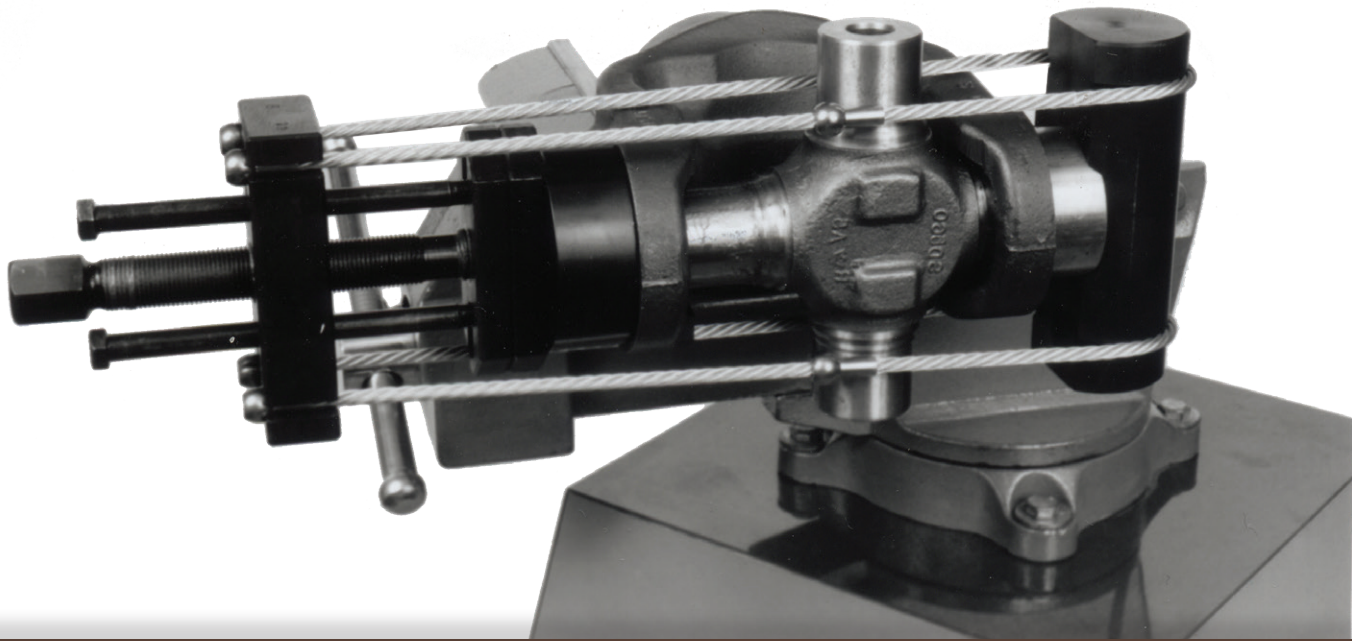


# PRODUCTS

## **SPICER LIFE™ DRIVESHAFTS** **FAST SAFE DURABLE REASSEMBLES ECONOMICAL**

J&J Tool LLC has developed the J&J U-Joint Puller 4LIFE. This puller consists of the original J&J U-Joint puller (which has proven itself to be the premier tool for the removal of U-Joints) along

with a pair of heavier cables (7.32”) and a new ring adapter. Also included in this kit is a Pull Bar used in the installation procedure for the new U-Joint.



During a demonstration at Spicer’s testing facility in Toledo Ohio, the **J&J U-Joint Puller 4LIFE** was used to remove and reassemble a Spicer Life Series™ U-Joint that had been heavily rusted in salt water and corroded with Arizona dust. The U-Joint that was successfully removed and re-assembled in a few minutes with absolutely no damage to the yoke or U-Joint.

Because of the new “press fit” feature of the bearing assembly, the Spicer Life Series™ U-Joint cannot be reassembled properly without using special equipment that can replace the bearing cups within strict tolerances. The **J&J U-Joint Puller 4 LIFE** also meets this challenge, which is

crucial to the balance of the driveshaft. As a result of this demonstration, and after analyzing the capabilities of the tool, the **J&J U-Joint Puller 4LIFE** is in the Spicer Driveshaft Service and Maintenance Manual™ (for no. 3264) as the recommended method for the removal and installation of the u-joint.

The tool can easily be used to remove or replace the u-joint on one end of the shaft without removing the shaft from the truck. The weight of the tool to remove the u-joint is 7 pounds. Add the pull bar to the tool for installation and it weighs only 12 pounds yet it is capable of 14 tons of pulling force.

# AVAILABLE FOR PURCHASE IS THE *Complete "4LIFE U-Joint Puller Kit"*

This kit services Spicer's Life Series Driveshafts, all heavy-duty 1510-1910 series, and includes metric bolts.

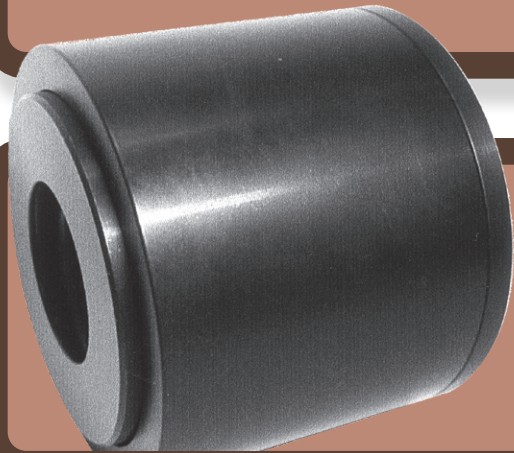
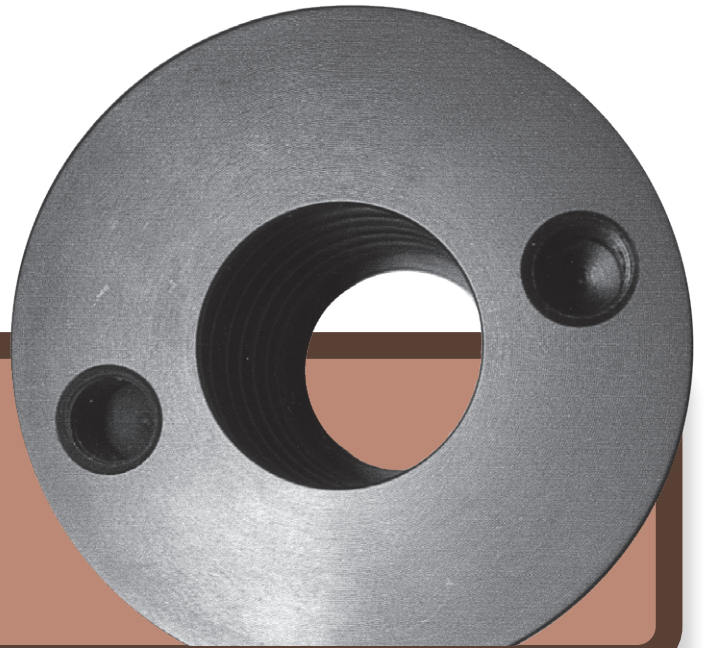


# PRODUCTS

## ADAPTER FOR RPL SERIES TO DISASSEMBLE MERITOR RPL 20 & 25

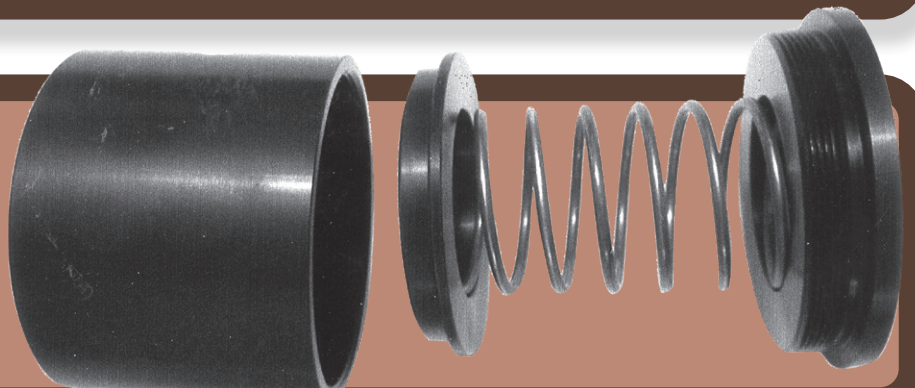


The new RPL adapter developed by J&J Tool has a spring loaded guide that centers the tool exactly in the drive shaft bore.



You can use either the J&J Tool 2000 Series or the 4LIFE Puller Kit. Just install the existing 6" bolts into the 2<sup>3/8</sup> holes on top of adapter and pull as usual. The U-jt cup will pull up inside the adapter.

The adapter is easily disassembled for cleaning if the need arises.



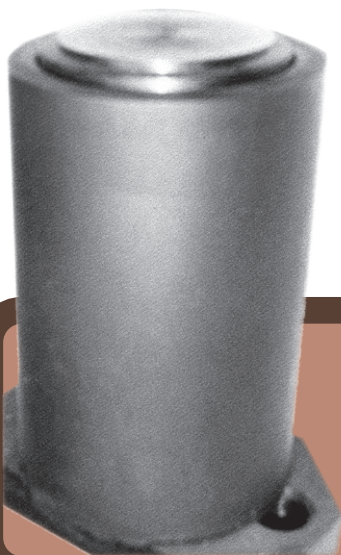
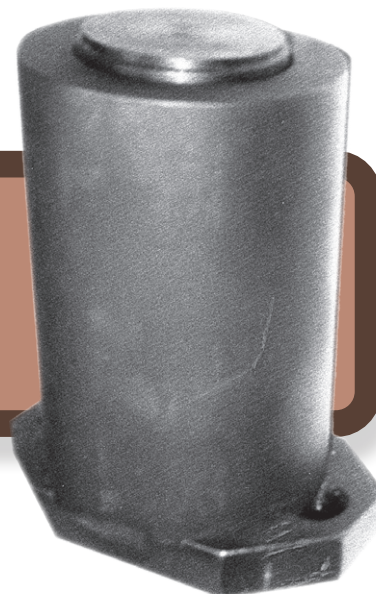
# J&J TOOL UNIVERSAL JOINT PULLER ADAPTER

The patented J&J method of pulling universal joints can now apply to vehicles under 26,000 pounds, such as pickup trucks and 4x4's. The adapters enable the tool to disassemble both the snapping and the saginaw style u-joint **WITHOUT HEAT OR HAMMERING**. Thus these adapters not only constitute an improvement of the **J&J U-JOINT PULLER** but also make it more versatile by extending the range to **ALL DRIVSHAFT UNIVERSAL JOINTS**

When working on this type of driveshaft, the adapter replaces the alignment stud ends on the J&J Puller. The adapter has a self-centered feature so it centers on the bearing cup bore. Then, by applying the J&J method of pulling, the bearing cup is forced into the spring-loaded adapter eliminating the possibility of damage to the yoke.

## 1051

For use with Pickup Trucks and 4x4  
Services 1330, 1350, & 1410 series

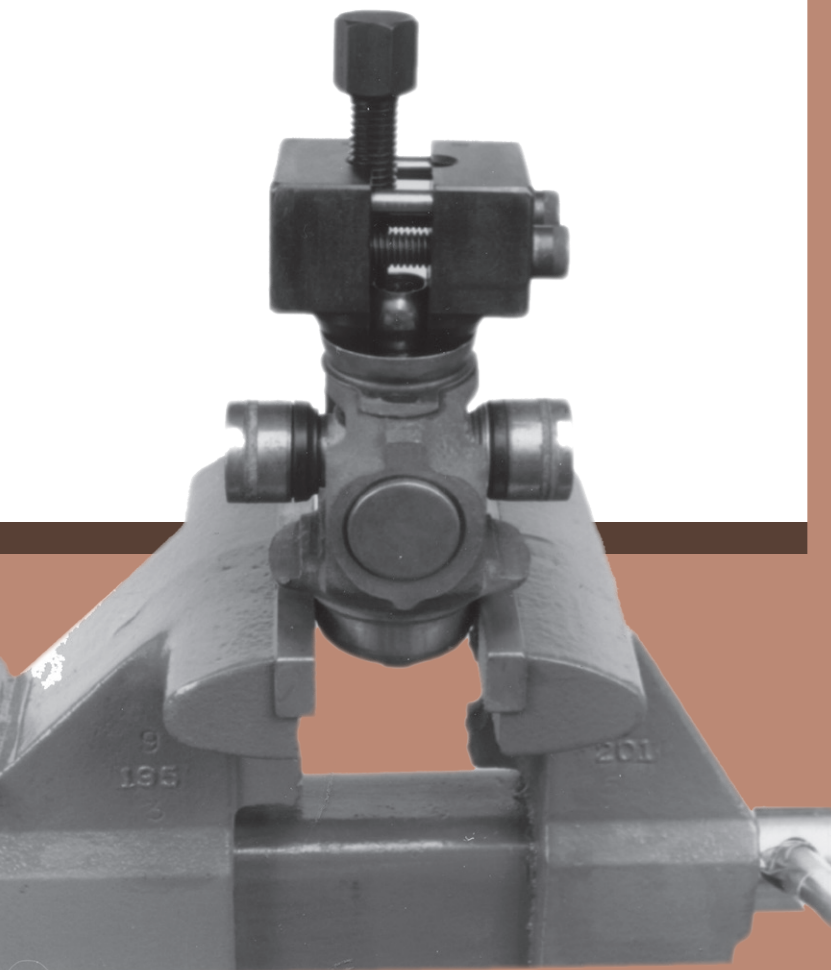


For use with pickup Trucks and 4x4  
Services 1480 & 1550

## 1052

# *PRODUCTS*

## *SAGINAW BALL PULLER PART #4000*



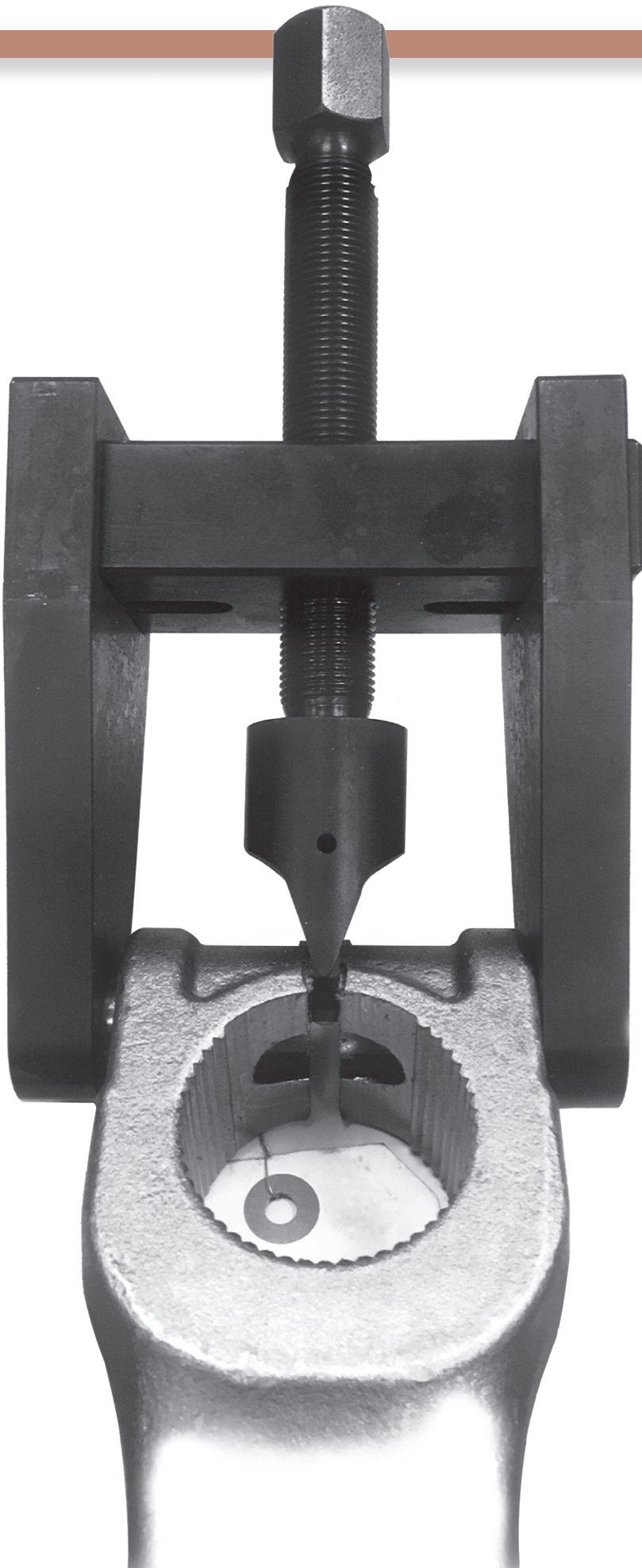
The saginaw ball puller will easily remove the ball from saginaw jts. Just remove the 2 allen bolts on side of tool and install over the ball, reinstall, and tighten allen bolts. Turn Down screw and pull the ball.



---

## ***NEW TOOL*** ***PART #PAS-3***

J&J Tool is proud to announce the release of a new tool. We have developed a pitman arm puller to work in conjunction with any J&J U-joint puller. The tool works on pinch bolt style pitman arms. It is safe and easy to use. No more driving in a chisel, with the risk of having it fly out in your face.



# PRODUCTS

## **J&J YOKE PULLER - KIT Y600**

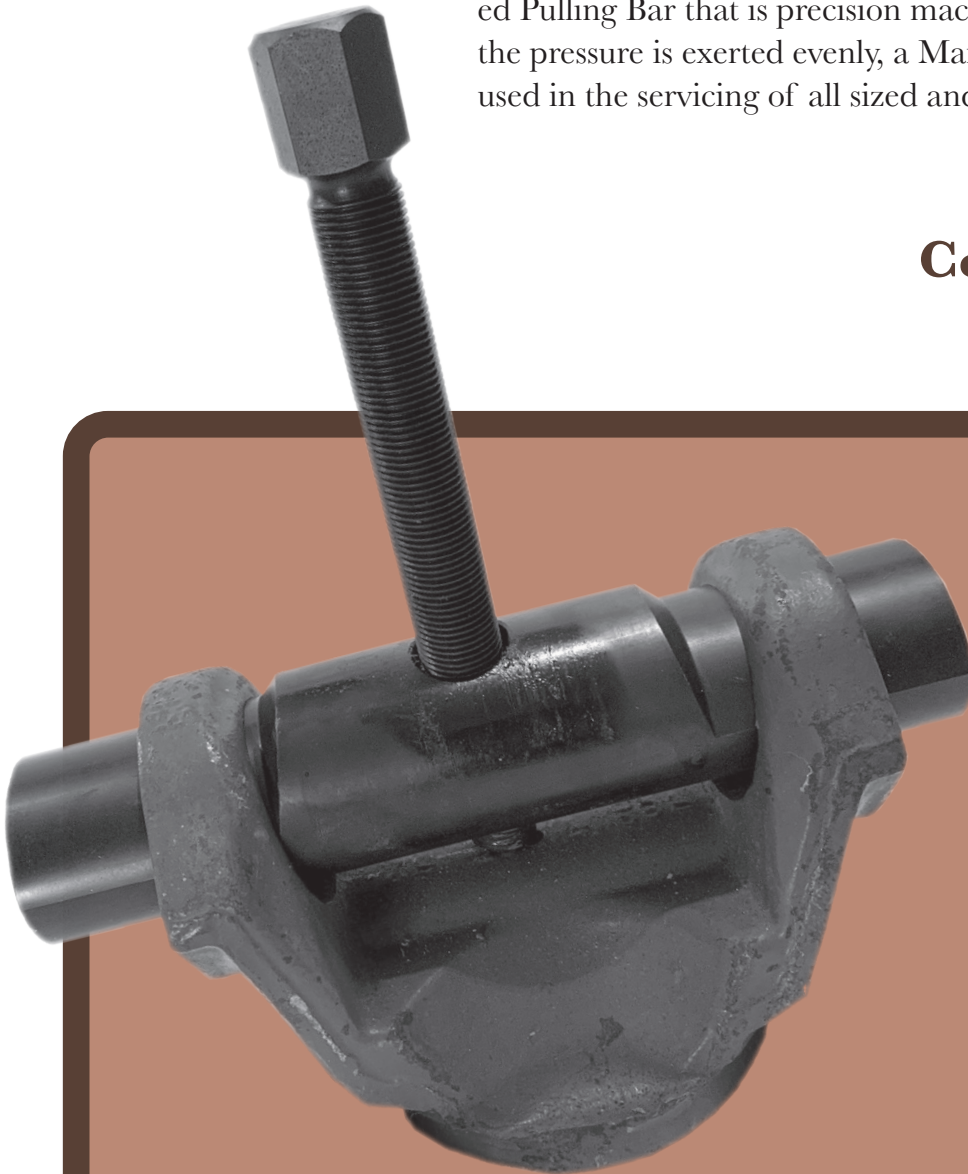
**DISASSEMBLES HEAVY -DUTY YOKES**

**QUICK! EASY! SAFE!**

The J&J Yoke Puller is designed to remove a yoke from a driveshaft, an output shaft of a transmission, or a pinion shaft of a rear. The tool is made of aviation grade carbon steel and is case hardened. With kit Y600 nine different sizes and styles of yokes can be removed: full round and half round yokes for the 1610, 1710, 1760, 1810, 1880 series along with SPL 140, 170, 250, and Rockwell 9C. The kit contains a two-sided Pulling Bar that is precision machined to the proper radius so that the pressure is exerted evenly, a Main Screw, and an Adapter, which are used in the servicing of all sized and styles of yokes.

### **Kit Y600**

**Comes Complete in  
a Metal Toolbox**



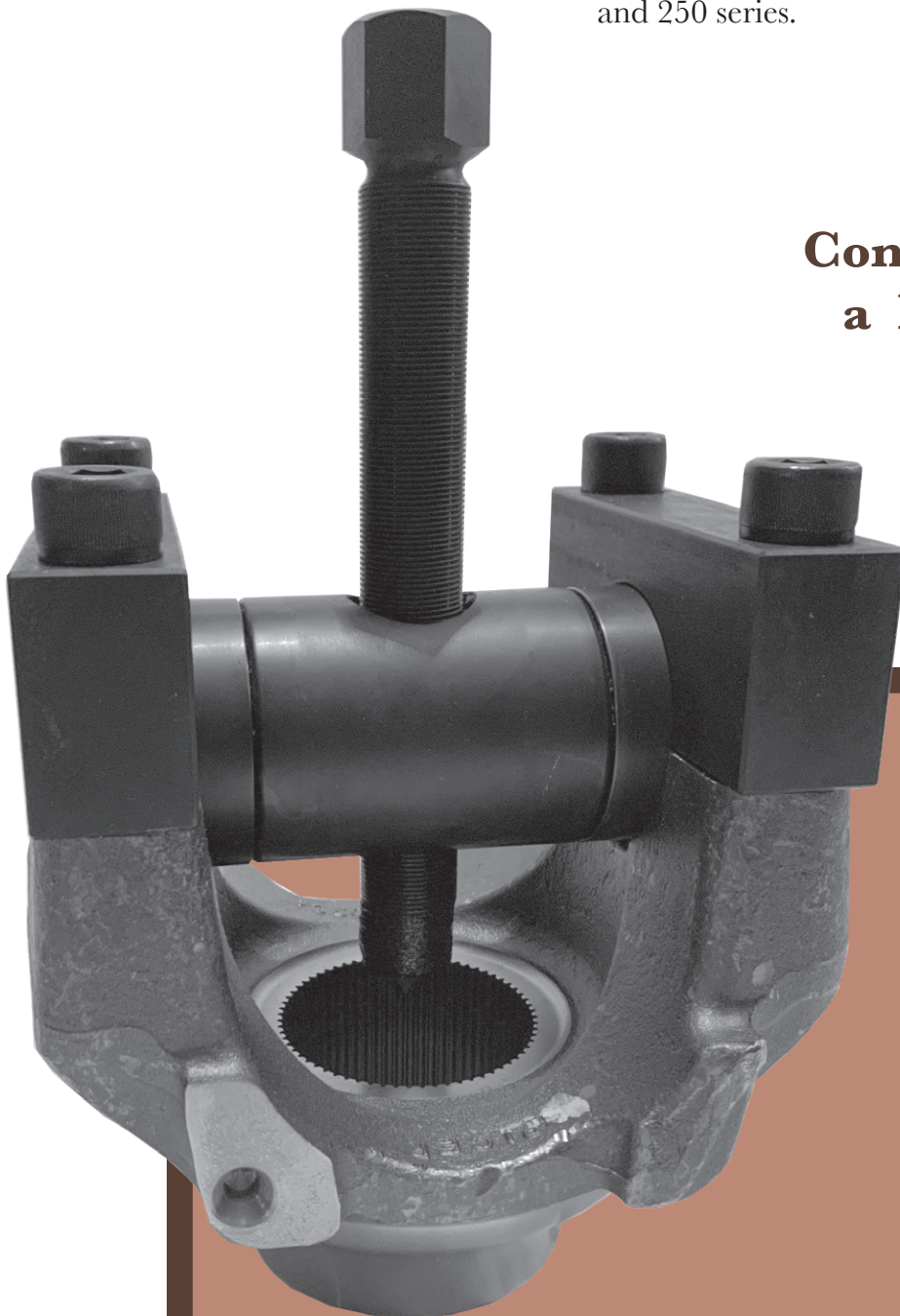
Also included are two Clamps with slotted holes, which are used to remove all half round sizes. The Pulling Bar has two distinct sides with a different radius on each side. The “smooth” side of the Pulling Bar fits the inside surface of the 1610 full round yokes and the J&J Clamps. The “Stepped” side of the Pulling Bar fits the inside surface of the 1710, 1760, and 1810 series full round yokes. The kit also includes four 1/2-inch bolts, four 3/8-inch bolts with washers and four 12mm bolts.

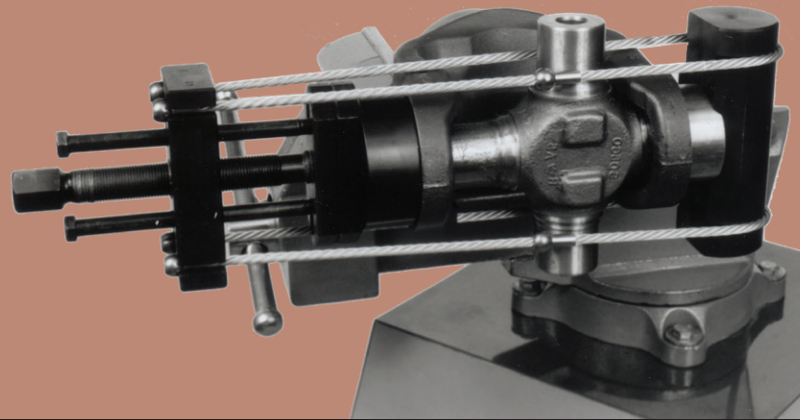
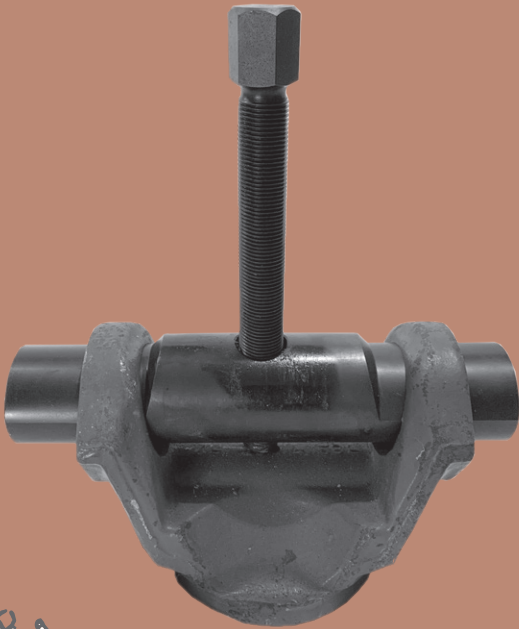
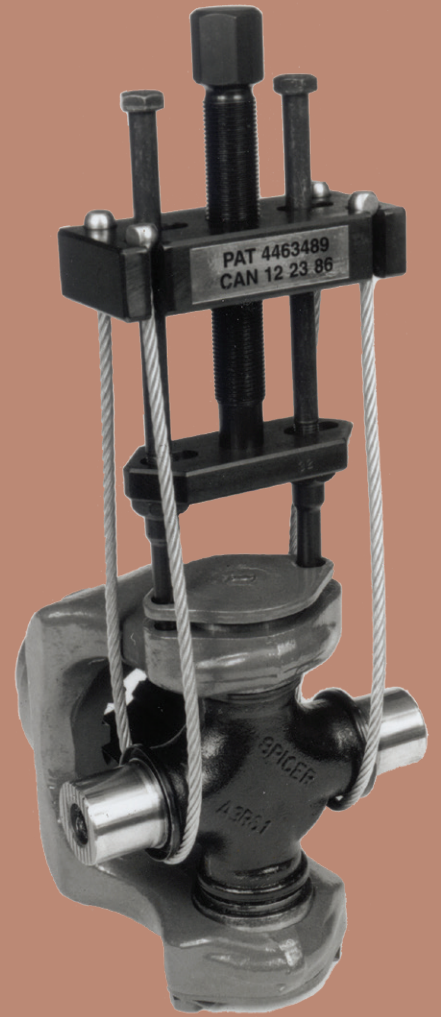
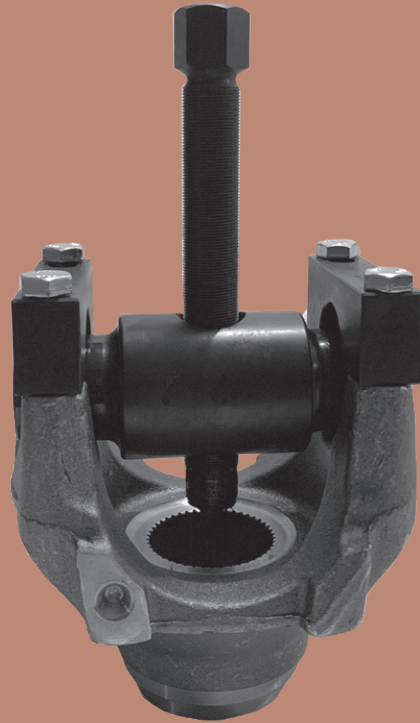
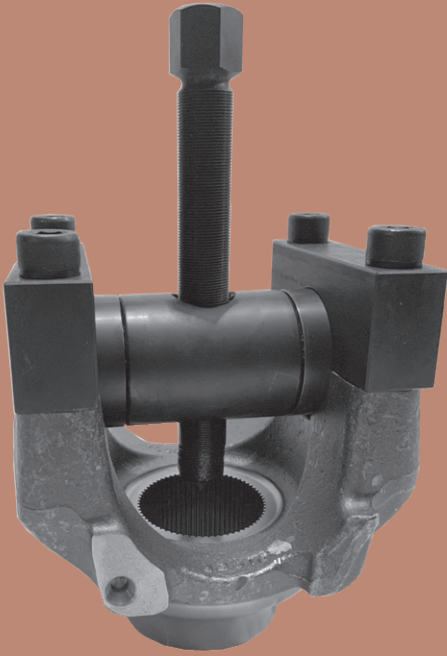
# *J&J YOKE PULLER - KIT Y700*

Similar to the Y600, this Yoke Puller is capable of removing the SPL 250 and 350 series yokes, as well as the Rockwell 9C.

Combined with the Y600 Clamp Bolt Kit, this Yoke Puller can also remove the SPL 170 series and 250 series.

**Kit Y700  
Comes Complete in  
a Metal Toolbox**





800.221.4903 TOLL FREE • 717.278.0244 CELL

**J & J TOOL LLC**

WWW.JandJTOOLCO.COM

50 FAIRVIEW ROAD  
LITITZ, PA 17543

